

Section 14



FOOD & SWEET BINS

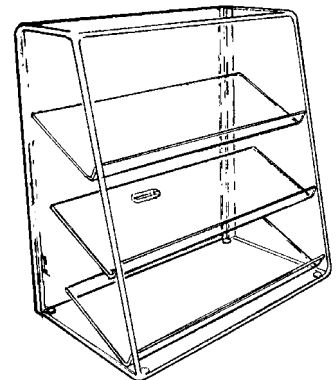


Web. acrylicdesign.ie
Email. sales@acrylicdesign.ie

© Acrylic Design 2004-2015

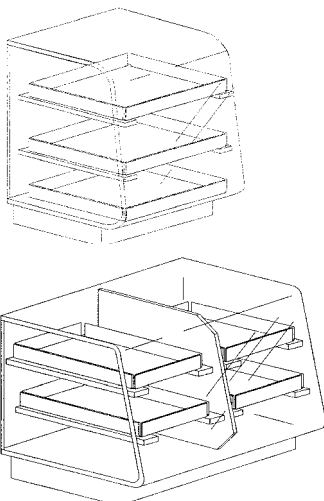
Food Bins

Food Bins are made to order and can be made to suit your needs. They can also be branded in your corporate colours.



Three tier dispenser unit with doors at back.

Bun and Roll dispenser units with back loading and front dispensing with tongs.



Sandwiches and cakes unit with take out shelves for easy cleaning

Units can be manufactured in single or double widths



ACRYLIC DESIGN

& Fabrication Company Limited.

Unit 5a Dunboyne Industrial Estate,

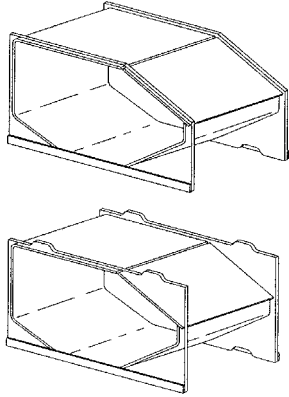
Dunboyne, County Meath.

telephone: 01-802 6480 fax: 01-802 6481

email: sales@acrylicdesign.ie

www.acrylicdesign.ie

Pick 'n' Mix Bins



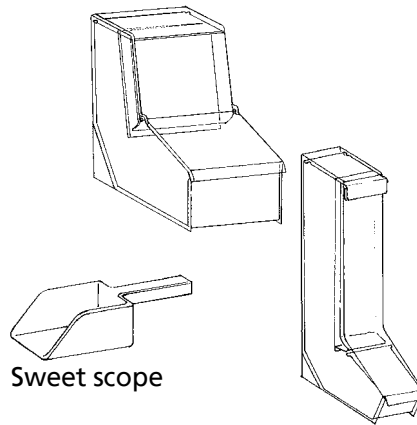
Stackable sweet bins



Assortment of sweet or nut bins

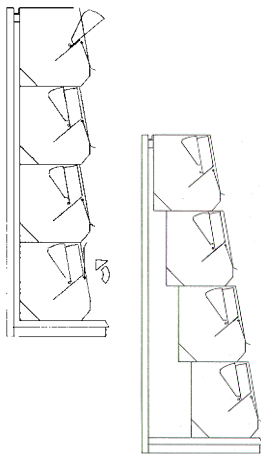


Dispensing unit bars of chocolate or bags. Made to order and can fit into any space.

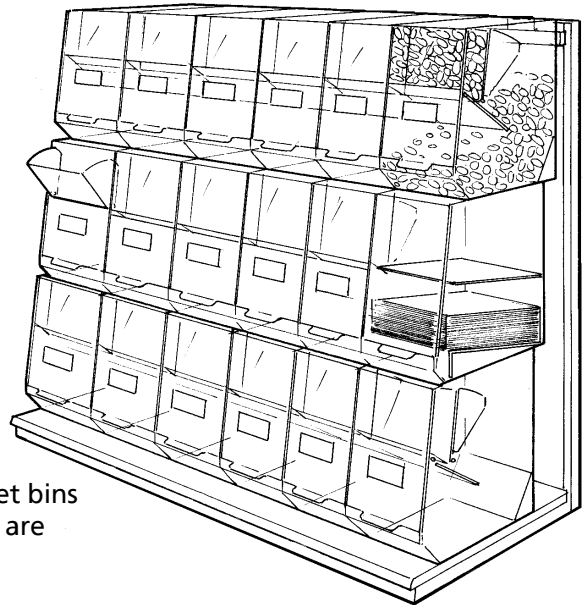


Sweet scoop

Boot bins are made in all sorts of shapes and sizes in clear acrylic.



Injection moulded sweet bins with front loading and are stackable.



ACRYLIC DESIGN

& Fabrication Company Limited.

Unit 5a Dunboyne Industrial Estate,

Dunboyne, County Meath.

telephone: 01-802 6480 fax: 01-802 6481

email: sales@acrylicdesign.ie

www.acrylicdesign.ie

Circular Bins

Moulded in crystal clear styrene, these bins are ideal for impulse purchases. An attractive sales aid, it takes up little space and yet has amazing capacity. Ships in two halves which snap together. Slot on top for price tag.

200mm diameter
Opening 120mm approx



ACRYLIC DESIGN

& Fabrication Company Limited.

Unit 5a Dunboyne Industrial Estate,

Dunboyne, County Meath.

telephone: 01-802 6480 fax: 01-802 6481

email: sales@acrylicdesign.ie

www.acrylicdesign.ie

Dura Bins

Waterproof and highly durable polypropylene.

A simple and cost effective dump bin, ideal for impulse purchase,

Dura-bin is water proof and virtually indestructible !.

Available in five eye catching colours

DB-1B Blue

DB-1G Green

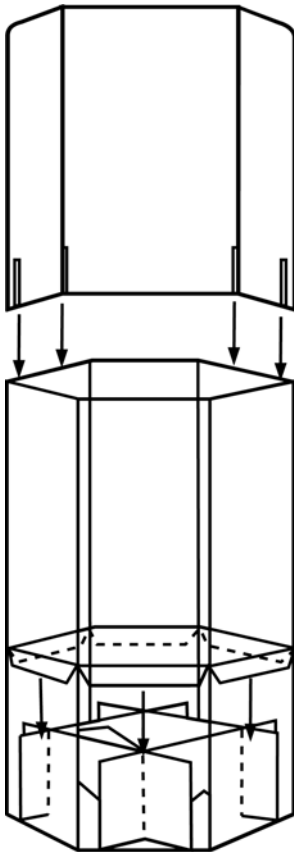
DB-1Y Yellow

DB-1R Red

DB-1BLK Black

Supplied flat and assembles quickly and easily without the need for tools.

Height (mm) base 750.
Header section 350mm.
Width 520mm.



ACRYLIC DESIGN

& Fabrication Company Limited.

Unit 5a Dunboyne Industrial Estate,

Dunboyne, County Meath.

telephone: 01-802 6480 fax: 01-802 6481

email: sales@acrylicdesign.ie

www.acrylicdesign.ie

Catering Dispensers



Sample Tray



Cone Holder Display



Cookie Display



Jam Dispenser



Jam Dispenser



ACRYLIC DESIGN

& Fabrication Company Limited.

Unit 5a Dunboyne Industrial Estate,

Dunboyne, County Meath.

telephone: 01-802 6480 fax: 01-802 6481

email: sales@acrylicdesign.ie

www.acrylicdesign.ie
